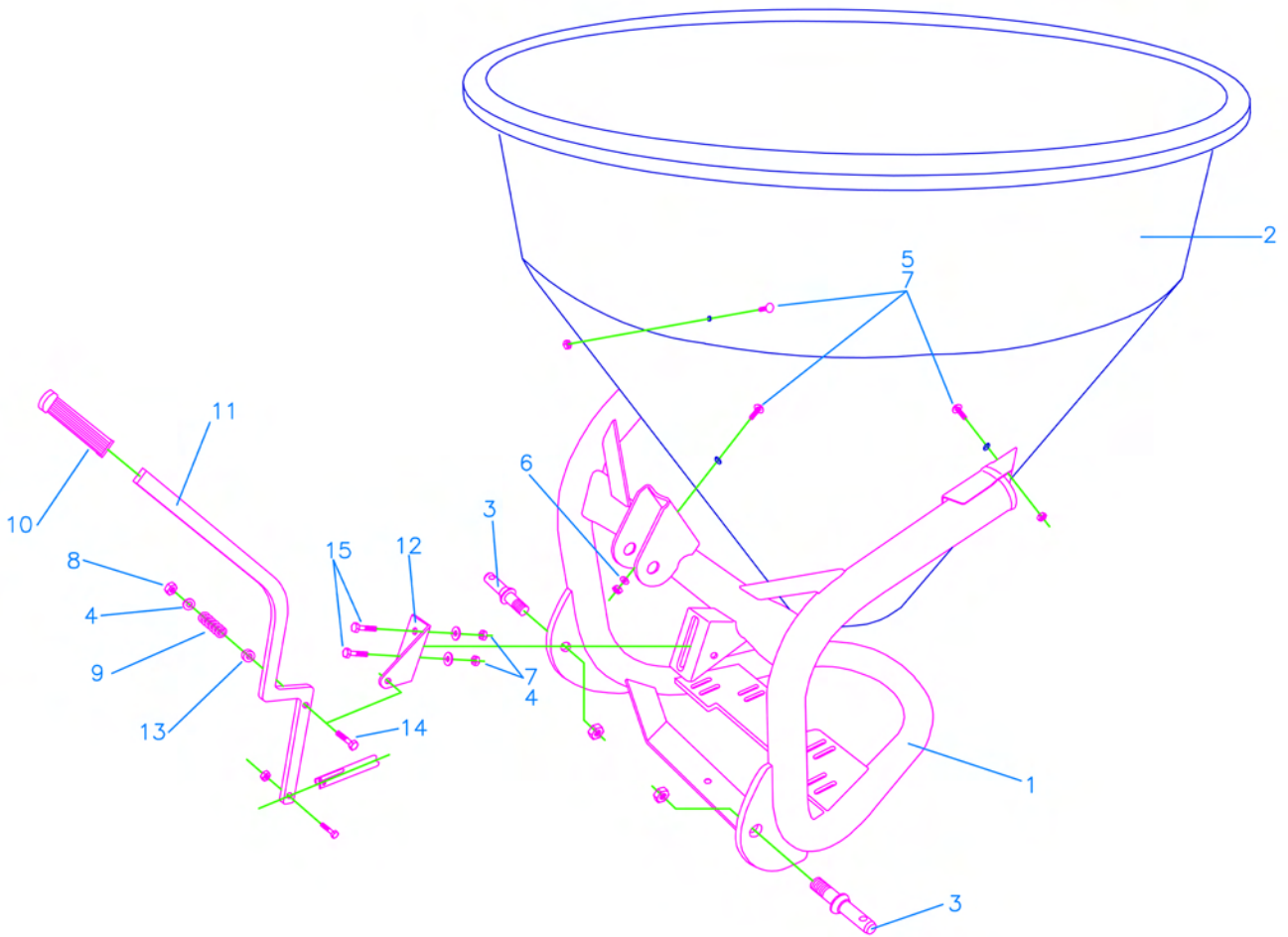
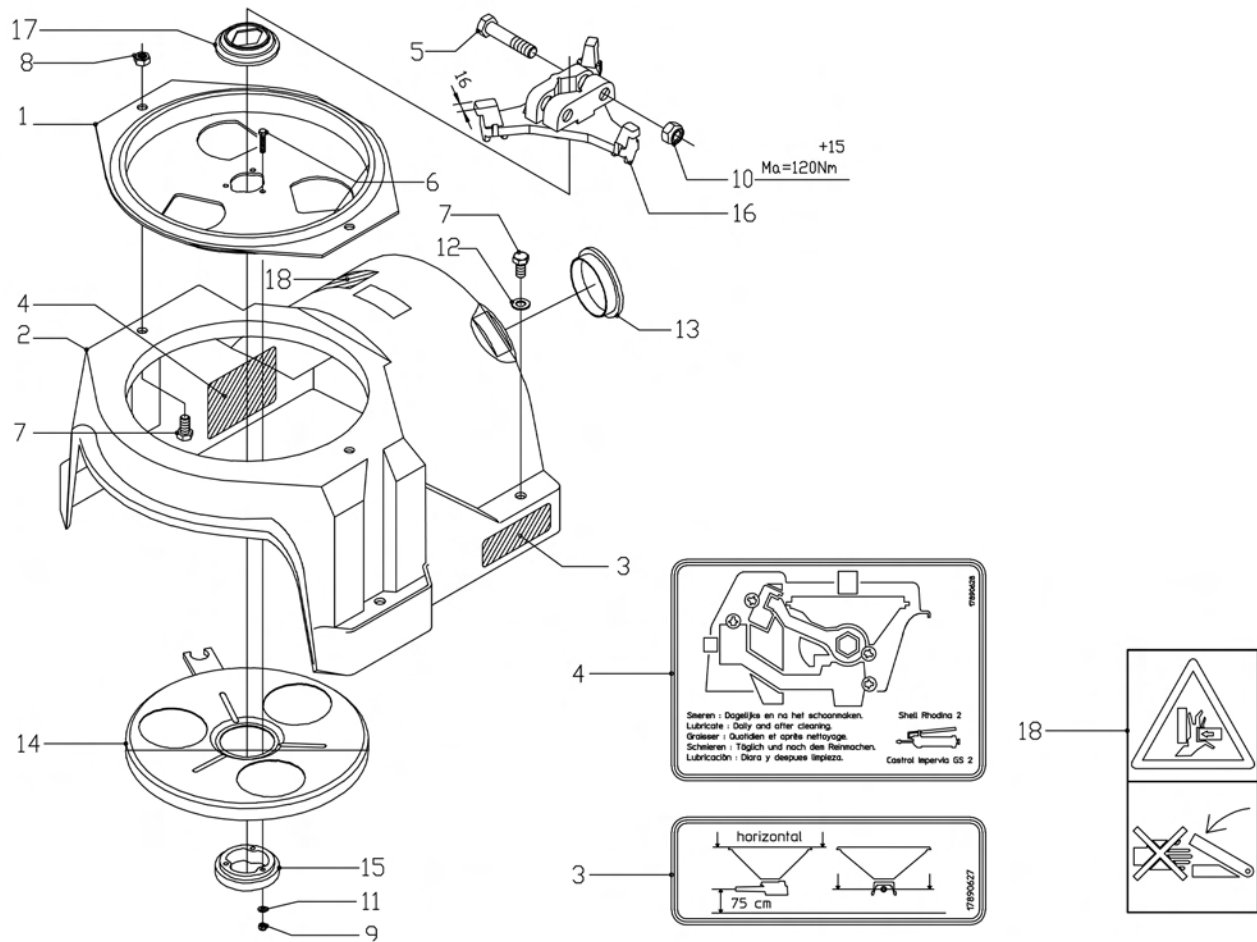


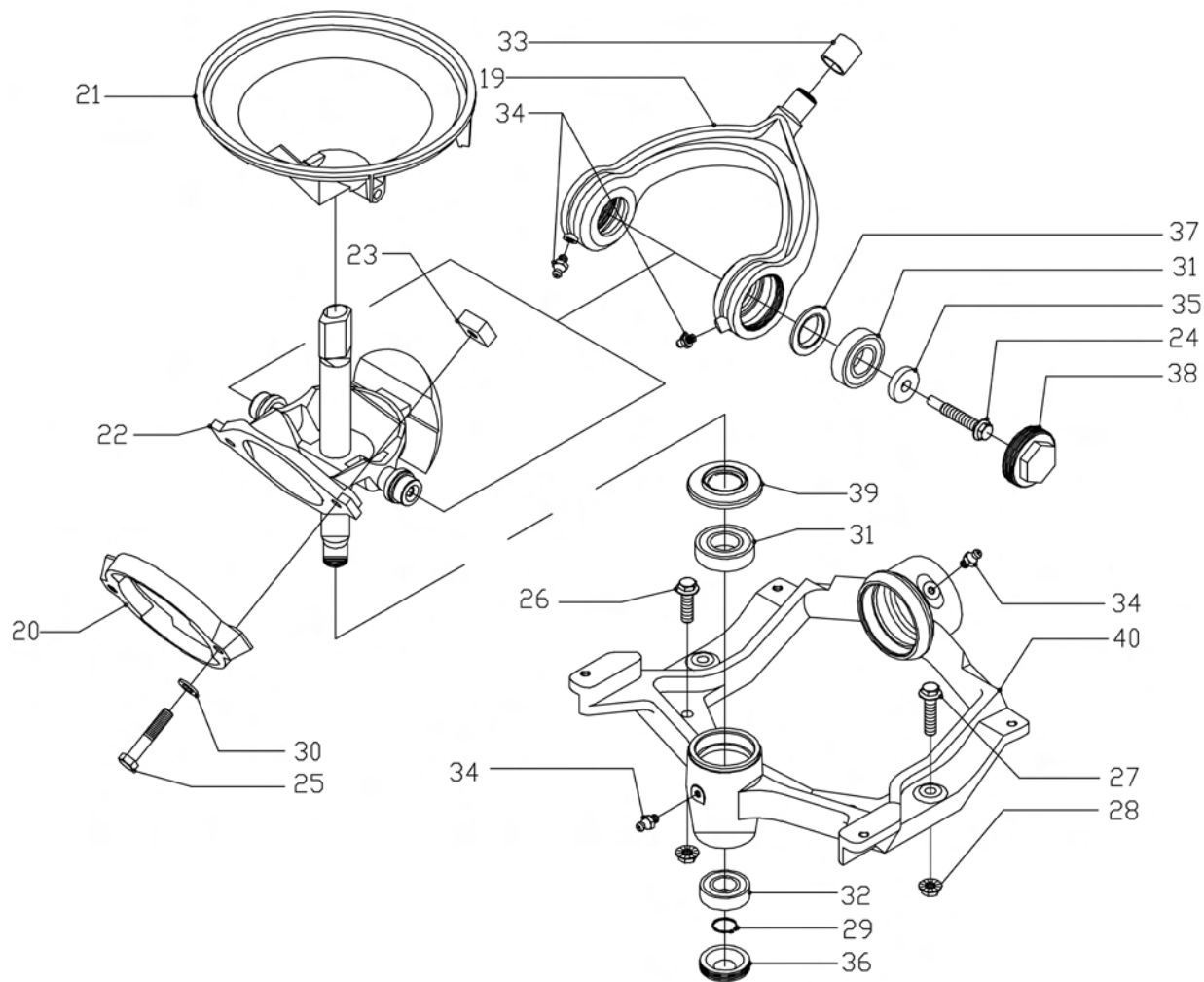
PENDULAR SPREADER MOD. PD400C



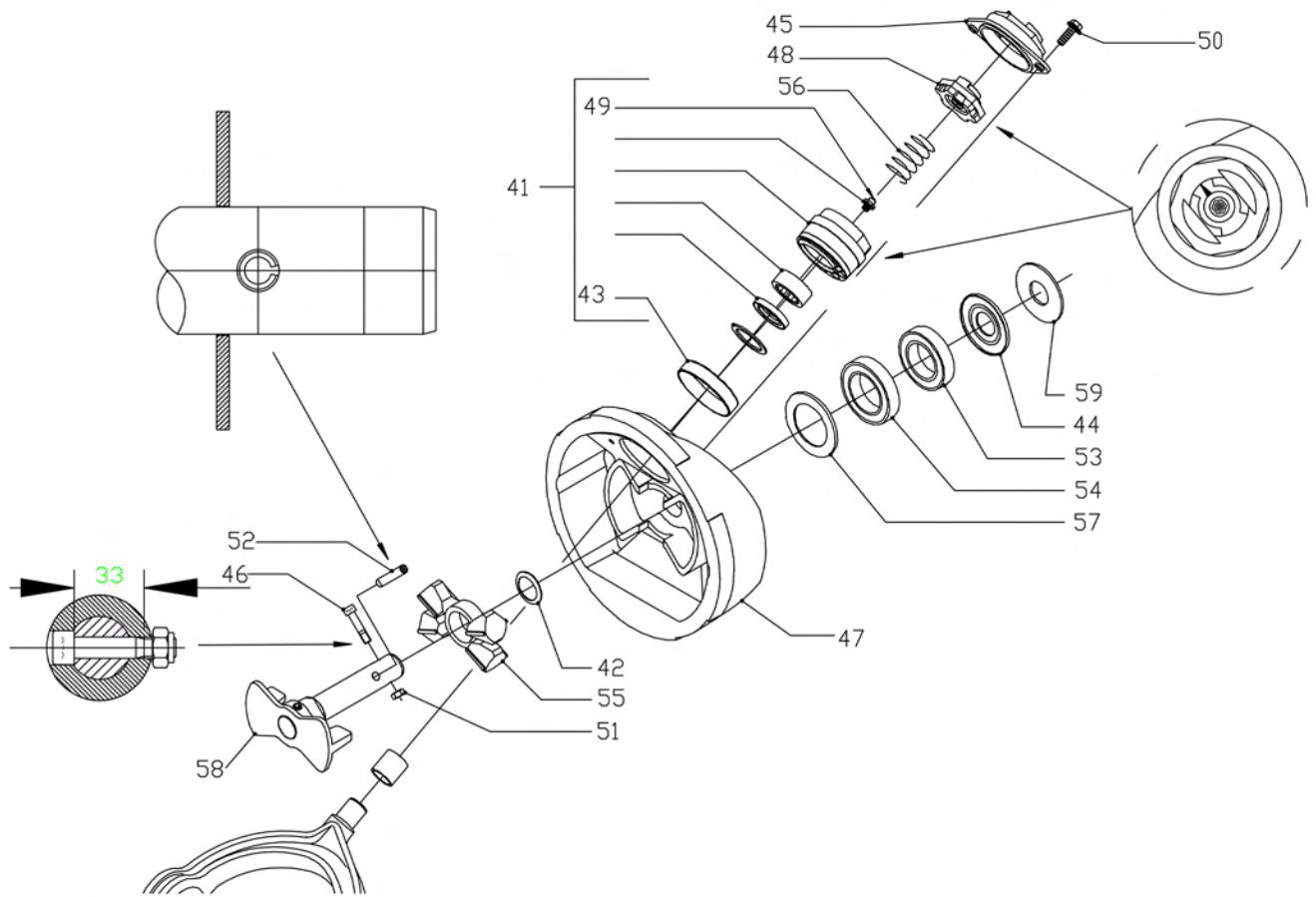
CODE	Q.TY	REF.	DESCRIPTION
613.014	1	1	FRAME PD400C MOD.
609.015	1	2	PLASTIC HOPPER PD400C MOD.
633.008	2	3	LOWER LINK PIN
303.015	3	4	WASHER 10X20 UNI6592
300.044	3	5	ROUNDHEAD SCREW 10X30 UNI5732
303.025	1	6	WASHER 10X30 UNI6593
301.010	5	7	NUT M10
301.013	1	8	SELF LOCKING NUT M10
617.002	1	9	SPRING 40X20X10
304.028	1	10	RUBBER HANDLE 20X10
618.010	1	11	LEVER PD400C MOD.
606.087	1	12	SUPPORT BRACKET FOR OPENING LEVER
325.022	1	13	NYLON BUSHING 10 MM HOLE DIAM.
300.015	1	14	HEXAGONAL HEAD SCREW 10X80 UNI5739
300.003	1	15	HEXAGONAL HEAD SCREW 10X25 UNI5739



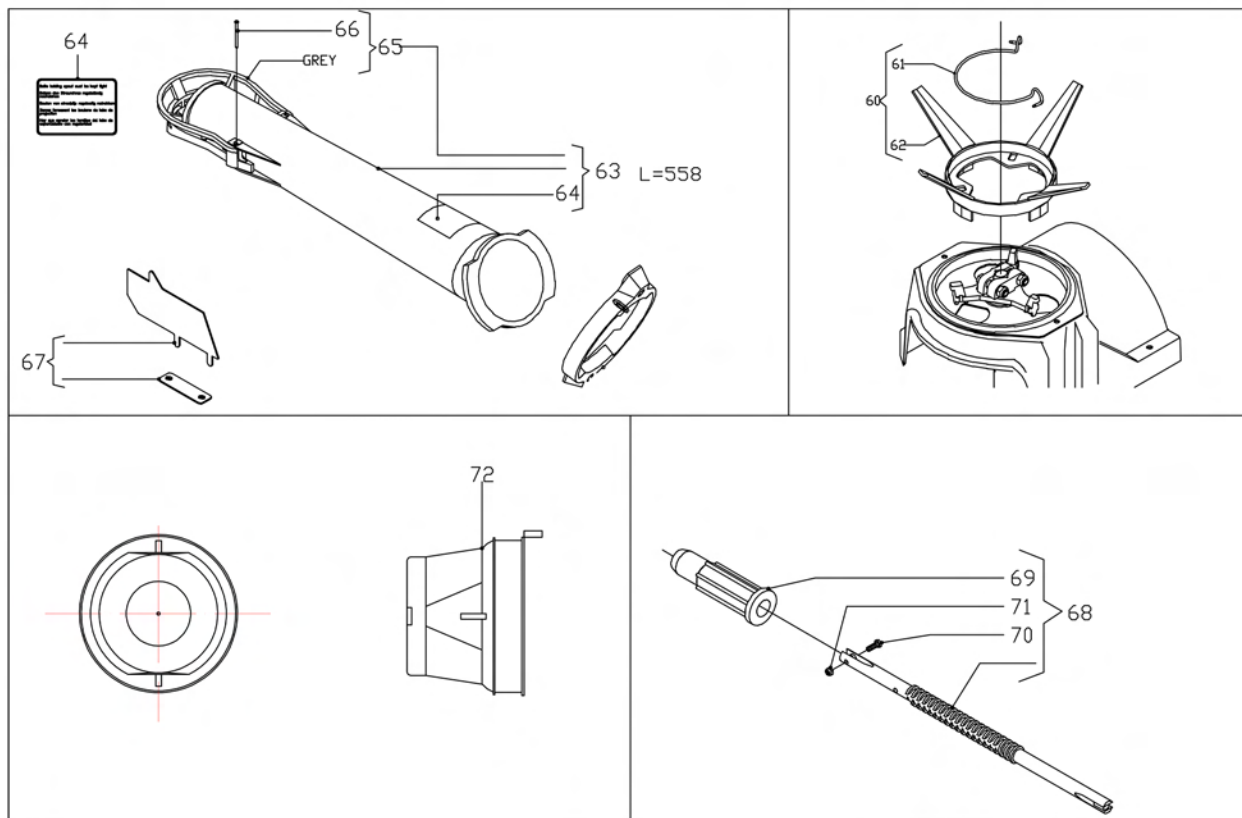
CODICE CODE	REF.	DESCRIPTION
610.018	1	DOSING PLATE FIXED
304.037	2	COVER UNIT
308.002	3	DECAL HORIZONTAL
308.003	4	GREASE DECAL
300.033	5	HEXAGONAL HEAD SCREW 8.8-M14X65/DM
300.034	6	HEXAGONAL HEAD SCREW M5X25/RVS
300.035	7	HEXAGONAL HEAD SCREW M10X20/RVS
301.046	8	NUT M10/RVS
301.045	9	NUT M5/RVS/NYLON
301.044	10	NUT M14/RVS/NYLON
303.004	11	WASHER 5,3/RVS
303.003	12	WASHER 10,5/RVS
304.040	13	CAP ADJUST. HOLE
610.017	14	DOSING PLATE ADJUST.
304.039	15	RING DOSING PLATE
619.022	16	AGITATOR
304.038	17	CAP OF AGITATOR AXLE
308.004	18	SAFETY DECAL



CODICE CODE	REF.	DESCRIPTION
332.005	19	YOKE (ASSEMBLY)
304.110	20	FLANGE SPOUT (LONG OR SHORT) 03
600.003	21	SPREADING BASIN
600.004	22	CENTRE AXLE
301.047	23	SPECIAL NUT SPOUT
300.061	24	SPECIAL BOLT YOKE BEARINGS
300.060	25	BOLT 10,9-M12X65/DM
300.063	26	BOLT K100-M12X40/DM
300.062	27	BOLT K100-M12X50/DM
301.048	28	NUT K10/M12/DM
313.007	29	CIRCLIP A25X1,2
303.002	30	LOCK WASHER 13/RVS
310.011	31	BEARING 6206-Z
310.013	32	BEARING 6205-2LC
310.012	33	BEARING YOKE
306.009	34	GREASE NIPPLE M8X1,25
303.001	35	WASHER BEARING YOKE
304.041	36	CAP BOTTOM BEARING
299.006	37	SEAL
299.005	38	BEARING CAP
299.007	39	SEAL
321.002	40	MAINFRAME



CODICE CODE	REF.	DESCRIPTION
304.045	41	HOUSING
303.032	42	RING
624.002	43	BEARING RING
304.042	44	BEARING CAP
304.043	45	LOCK CAP WIDTH ADJUSTMENT
300.064	46	BOLT PTO 10.9-M10X48
599.002	47	FLY WHEEL
304.044	48	WIDTH ADJUSTMENT RING
306.009	49	GREASE NIPPLE M8X1,25
300.065	50	BOLT K100-M8X25/DM
301.049	51	NUT M10/RVS/DM
305.009	52	ROLL PIN 10X55 DM
310.015	53	BEARING 6009-2Z-C3
310.014	54	BEARING 6010-ZRS-C3
327.002	55	RUBBER BUFFER
617.006	56	SPRING
303.036	57	WASHER
323.014	58	AXLE FOR PTO
303.037	59	WASHER



CODICE CODE	REF.	DESCRIPTION
619.026	60	COMPLETE AGITATOR CROWN
617.001	61	AGITATOR SPRING
619.023	62	AGITATOR CROWN
304.100	63	SPOUT PLASTIC LONG 03
308.267	64	PENDELUM LABEL
304.046	65	BAND GREY 03 LONG
305.007	66	PIN 3X40
304.047	67	MIDDLE PLATE (LONG SPOUT)
618.016	68	DOSING ROD
618.017	69	DOSING ROD NUT
300.066	70	BOLT M6X25/RVS
301.051	71	NUT M6/RVS/NYLON
304.019	72	PROTECTION COVER PTO